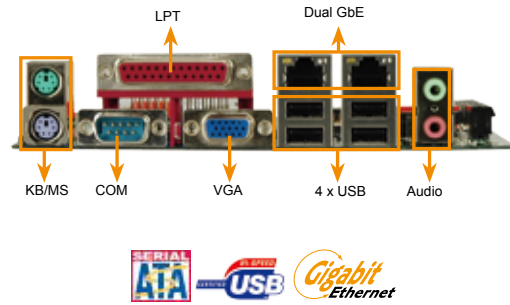
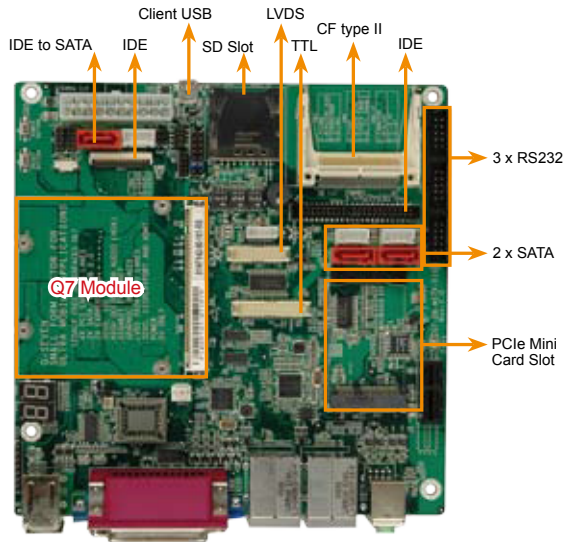


iQ7-DB-MITX

Base Board for Q7 modules



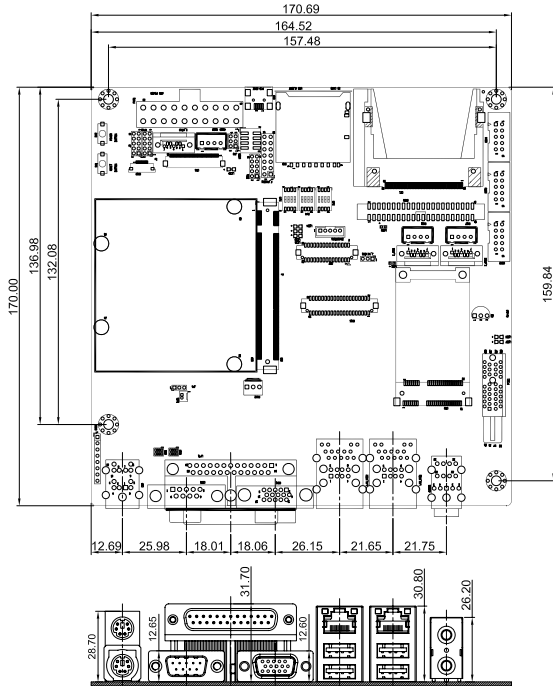
Features

1. Mini ITX form factor base board for Q7 platform
2. Support audio, SD Slot, IDE, CFII, Single channel LVDS, TTL
3. Support 6 x USB, 4 x COM, 2 x SATA
4. Support PCIe x1 slot, 1x PCIe Mini card

Specifications

- ◆ Display Interface
 - VGA DB15 connector (SDVO to VGA by chrontel CH7021A)
 - 18/24 bit single channel LVDS
 - TTL (LVDS to TTL)
- ◆ Expansion slot
 - 1 x PCIe Mini card slot shared with LAN1(Select by switch)
 - 1 x PCIe x1 slot shared with LAN2 (Select by switch)
- ◆ I/O Interface
 - 2 x SATA/SATA II with 5V/12V power output (not support by iQ7-US15W)
 - 1 x IDE (IDE Signal support from iQ7-US15W)
 - 1 x CF type II (Signal support from iQ7-US15W)
 - 1 x SATA with 5V/12V power output (IDE to SATA JM20330 Signal support from iQ7-US15W)
 - 1 x SD Slot
 - 2 x PS2 KB/MS
 - 6 x USB 2.0
 - 1 x USB Client
 - 1 x LPT
 - 4 x RS232
- ◆ Audio
 - Realtek ALC883 for 7.1 channels HD audio
 - 1 x Mic-in, Lin-out connector
- ◆ Ethernet connector
 - 2 x Realtek 8111CP GbE chipsets
 - LAN1 shared with PCIe x1 slot (Select by switch)
 - LAN2 shared with PCIe Mini card Slot (Select by switch)
- ◆ Super I/O
 - Winbond W83627EHG
- ◆ Digital I/O
 - 8-bit digital I/O, 4-bit input/4-bit output by Winbond W83627EHG
- ◆ Infrared Interface
 - N/A
- ◆ Power Supply
 - ATX support
- ◆ Temperature
 - operation: 0°C~ 60°C (32°F~140°F)
- ◆ Humidity
 - operation: 5% ~95 non-condensing
- ◆ Dimensions
 - 170 mm x 170 mm
- ◆ Weight
 - GW: 700g / NW: 350g

Dimensions(mm)



Ordering Information

Part No.	Description
iQ7-DB-MITX-R10	Mini ITX form factor base board for Q7 module
19800-000051-RS	Dual RS-232 cable
19800-000047-RS	Single RS-232 cable
32400-029000-RS	15cm IDE FFC Cable from Q7 Module to Base board
32400-029002-RS	5cm IDE FFC Cable from Q7 Module to Base board

Packing List

1 x Mini ITX Form Factor base board for Q7 Module	
1 x Mini Jumper Pack	
1 x Utility CD	1 x QIG