

**Industrial Aluminum PPC-51 Series**

**PPC-5150**

**Intel® Pentium® 4/Pentium® Dual-Core Processor with 15" XGA TFT LCD and Touchscreen**



**Features**

1. 15" TFT XGA LCD
2. Intel® Pentium® 4 / Celeron® D CPU support FSB 533MHz up to 2.8GHz
3. DDR 266/333MHz DIMM memory up to 4GB
4. Dual Gigabit Ethernet support
5. One CompactFlash® Type II socket
6. Easy installing and mechanism design
7. IP 65 compliant aluminum die-casting front panel



**Specifications**

		PPC-5150GS/8522	PPC-5150A-R11/9455
Display	LCD Size	15"	
	Max Resolution	1024(W) x 768(H)	
	Brightness (cd/m2)	350	
	Contrast Ratio	700:1	
	LCD Color	262K	
	Pixel Pitch (mm)	0.297(H) x 0.297(V)	
	Viewing Angle (H-V)	140/125	
	Backlight MTBF (hrs)	50,000	
Motherboard	SBC Model	POS-8520	POS-9455
	CPU	Socket 478 Intel® Pentium® 4, Celeron M with 533MHz(max.) FSB	LGA 775 Socket with Intel® Core™2 Duo, Celeron® D with 533/800/1066 MHz
	Chipset	Intel 852GME + ICH5	Intel® 945G + ICH7R
	RAM	Supports two 266/333MHz DDR DIMM (4GB Max.)	Supports two 400/533/667MHz DDR2 DIMM (4GB Max.)
I/O Ports and Switches		4 x RS232 COM Port 1 x RS-232/422/485 Port 2 x RJ-45 for LAN Port 4 x USB 2.0 1 x VGA Port 1 x Audio (Line-in, Line-out, MIC-in) 1 x PS/2 (KB/MS) 1 x Power Switch 1 x PCI Slot	4 x RS232 COM Port 1 x RS-232/422/485 Port 2 x RJ-45 for LAN Port 4 x USB 2.0 1 x VGA Port 1 x Audio (Line-in, Line-out, MIC-in) 1 x PS/2 (KB/MS) 1 x Power Switch 1 x AT / ATX Switch 1 x PCI Slot
Driver Bay	HDD Driver Bay	1 x 2.5" SATA/IDE HDD bay with anti-shook	1 x 2.5" SATA HDD bay with anti-shook
	SSD	CF Type II	
	CD-ROM Driver Bay	Slim Type CD-ROM Bay	
Extension Slot	1 x PCI slot	1 x PCI slot 1 x PCIe mini card	
Physical	Construction Front Panel	Aluminum	
	Construction Chassis	Heavy-duty Steel	
	Mounting	Panel, Wall, Rack, Stand and Arm VESA 100mm x 100mm	
	Front Panel Color	Silver (Pantone 8001C)	
	Dimension (WxHxD) (mm)	410 x 309 x 110.5	
	Net Gross Weight	7 Kg / 11 Kg	
Environment	Operation Temperature (°C)	-10°C ~50°C	
	Storage Temperature (°C)	-20°C ~60°C	
	Vibration	5~17Hz, 0.1" double amplitude displacement , 17~640Hz, 1.5G acceleration peak to peak	
	Shoock	10G acceleration part to part (11ms)	
Touch Screen	Resistive Type 5-Wire with RS-232 interface		
Power Supply	ATX AC-Input	AC Input ATX Power Supply - P/N: ACE-4518AP-RS - 180W Power Supply - Input: 90VAC~240VAC, 50/60Hz - Output(max.): 3.3A@16.8A, 5V@12A, 12V@10A, -12V@0.8A	AC Input ATX Power Supply - P/N: ACE-A618A-RS - 180W Power Supply - Input: 90VAC~264VAC, 50/60Hz - Output(max.): 3.3A@14A, 5V@16A, 12V@14A, -12V@0.5A
	ATX DC-Input	DC Input ATX Power Supply - P/N: ACE-4520C-RS - 200W Power Supply - Input: 24VDC, 50/60Hz - Output(max.): 3.3A@12A, 5V@12A, 12V@15.4A, -12V@0.5A	DC Input ATX Power Supply - P/N: ACE-4520C-RS - 200W Power Supply - Input: 24VDC, 50/60Hz - Output(max.): 3.3A@12A, 5V@12A, 12V@15.4A, -12V@0.5A
Front Panel Protection	IP65 Compliant		
Certificate	Meets CE, FCC		
Ethernet	Dual Realtek RTL8110S GbE LAN	Dual Broadcom RTL8111CP PCIe Controllers	
Audio	AC' 97 2.3 Realtek ALC 655	AC' 97 2.3 Realtek ALC 883	

1  
Automation

2  
Point of Service

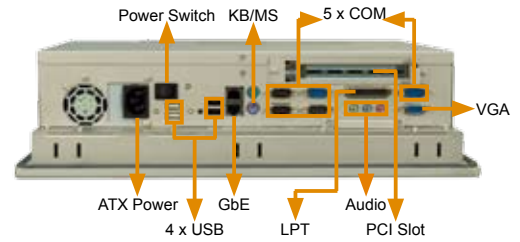
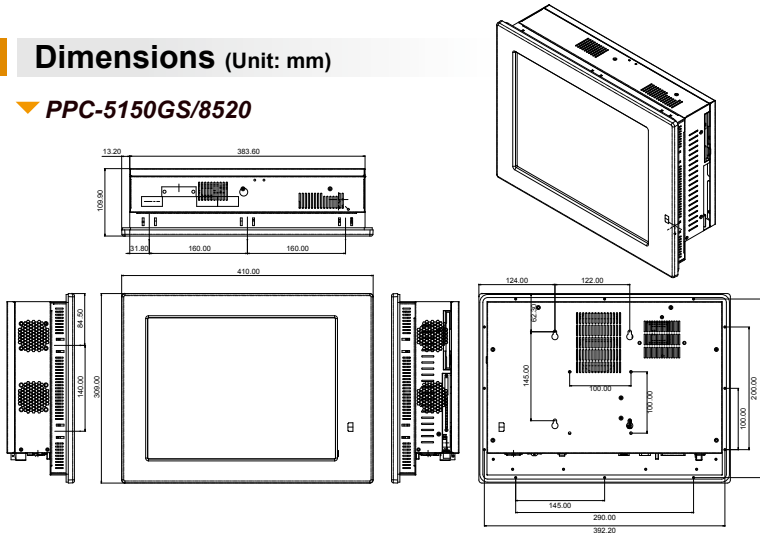
3  
Digital Signage

4  
RISC-based Solutions

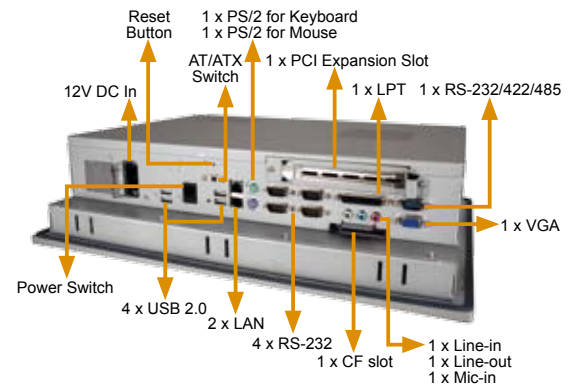
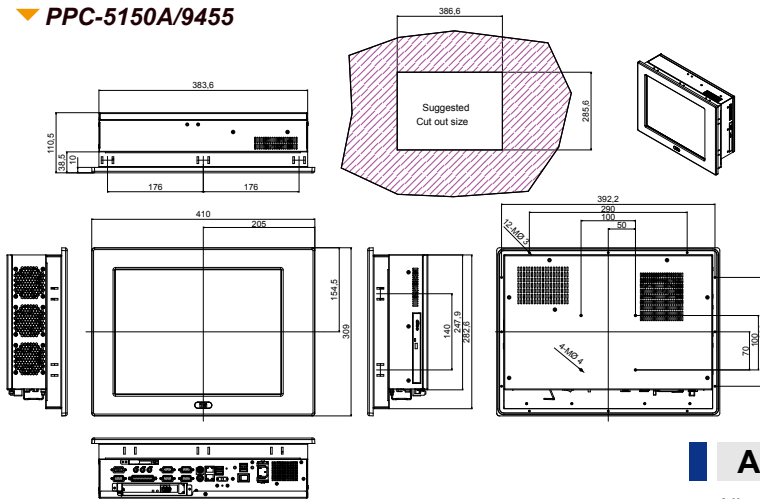
5  
Medical Solutions

## Dimensions (Unit: mm)

### ▼ PPC-5150GS/8520



### ▼ PPC-5150A/9455



## Anti-Shock Protection

All new Anti-shock design enhances protection performance of hard drives dramatically in terms of shock and vibration tests.



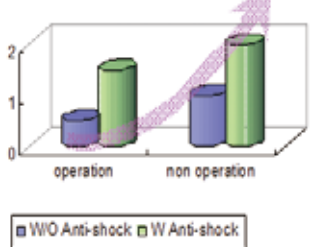
## Packing List

Description	Part Number	Amount
Slim Type Floppy Packing	19B00-000013-RS (PPC-5150GS/8520)	1
Slim Type CD-ROM Packing	19B00-000032-RS (PPC-5150GS/8520)	1
HDD IDE Cable (44-pin + 2 x 40-pin)	32200-014506-RS (PPC-5150GS/8520)	1
HDD IDE Cable (44-pin + 40-pin)	32200-019201-RS (PPC-5150GS/8520)	1
HDD SATA Cable	32000-077000-RS (PPC-5150GS/8520)	1
CPU Cooler	19100-000037-RS (PPC-5150GS/8520)	1
Screw Kit	19600-000078-RS	1
Jumper Pack	33100-000079-RS	1
Power Cord	32000-000002-RS	1
HDD Installation Kit	41011-0396C0-00-RS	1
Panel Mounting Kit	PK-170M	1
Wall Mounting Kit	WK-190MS-R10	1
Touch Screen Driver CD / Touch Pen (For T-R model only)		1
User Manual & Driver CD		1

Unit: G Shock Test



unit: G Vibration Test



## Options

Panel Mounting Kit	PK-170M
Wall Mounting Kit	WK-190MS-R10
Rack mount kits	RK-150MS-R10
LCD Monitor Arm	ARM-31-RS
LCD Monitor Stand	STAND-210-RS

## Ordering Information

Intel® 852GM Platform	PPC-5150GS/8520-P4-28G/4518AP/T-R/1GB	15" 350 cd/m² XGA TFT Panel PC with POS-8520,P4-2.8GHz FSB533,1GB RAM,ACE-4518AP and touch screen Silver color,RoHS
	PPC-5150GS/8520-P4-28G/4520C/T-R/1GB	15" 350 cd/m² XGA TFT Panel PC with POS-8520,P4-2.8GHz FSB533,1GB RAM,ACE-4520C and touch screen Silver color,RoHS
Intel® 945GM Platform	PPC-5150A-R11/9455-E2160/A618A/T-R/1GB	15" 350 cd/m² XGA Panel PC with POS-9455 R11 version,Pentium® Dual-Core E2160 1.8GHz CPU, 1GB DDR2 RAM, Silver color,PSU ACE-A618AP, touch screen, RoHS
	PPC-5150A-R11/9455-E2160/4520C/T-R/1GB	15" 350 cd/m² XGA Panel PC with POS-9455 R11 version, Pentium® Dual-Core E2160 1.8GHz CPU, 1GB DDR2 RAM, Silver color, PSU ACE-4520C, touch screen, RoHS