

7" Wide Screen WVGA AFOLUX PPC

AFL-07A-LX

AMD Geode LX-800 500 MHz Processor

AFL-07A-N270

Intel® Atom™ N270 1.6GHz Processor



Optional 18V ~30V Wide DC Power Input

The compact fanless AFL-07A-LX model with widescreen high brightness panel is ideal for limited space and better image requirements such as car PCs.

Features



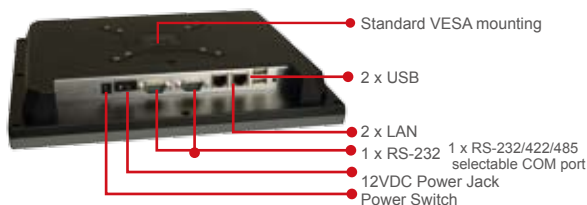
- 7" widescreen WVGA TFT LCD with resistive touch screen
- 18V~30V wide range DC power input (Optional)
- Compact design with plastic housing
- Fanless cooling system
- Selectable AT/ATX power mode
- System memory up to 2 GB SDRAM
- Built-in 802.11b/g Wireless LAN
- Built-in Bluetooth module
- Built-in two 1.5 W speakers
- One compact flash slot
- IP 64 compliant front panel

Specifications

Model	AFL-07A-LX-R12 / AFL-07A-LX24V	AFL-07A-N270-R10
LCD Size	7"	
Max Resolution	800 x 480	
Brightness (cd/m ²)	350	
Contrast Ratio	400:1	
LCD Color	262K	
Pixel Pitch (mm)	0.1905(H) x 0.1905(V)	
Viewing Angle (H-V)	140°/100°	
Backlight MTBF	50000 hrs	
SBC Model	AFLMB-LX-800	AFLMB-945GSE-N270-R10
CPU	AMD Geode™ LX 800 (500Mhz)	Intel® Atom™ process N270 1.6GHz CPU
Chipset	AMD LX800 + AMD CS5536	Intel® 945GSE + ICH7M
RAM	Supports one 333MHz or 400MHz DDR SO-DIMM (1GB Max.)	Supports one 400MHz or 533MHz DDRII SO-DIMM (2GB Max.)
I/O Ports	1 x RS232 COM Port 1 x RS-232/422/485 COM port 2 x RJ45 for 10/100Mbps LAN 2 x USB 2.0 1 x Power Switch 1 x Reset Button 1 x Power Jack 1 x Audio Jack (Line-out)	1 x RS232 COM Port 1 x RS-232/422/485 COM port 2 x RJ-45 for Giga LAN 2 x USB 2.0 1 x Power Switch 1 x Reset Button 1 x Power Jack 1 x External SATA 1 x Audio Jack (Line-out)
SSD	CF TypeII	
Watchdog Timer	Software Programmable supports 1~255 sec. System Reset	
Audio	AMP 1.5W + 1.5W (internal speaker)	
Expansion	1 x Wireless Lan 802.11 b/g Module (internal Mini PCI interface) 1 x Bluetooth Function (internal USB interface, Bluetooth V2.0)	1 x Wireless Lan 802.11 b/g Module (internal PCIe mini card interface) 1 x Bluetooth Function (internal USB interface, Bluetooth V2.0)
Drive Bay	N/A	
Optional HSUPA Module (support GSM 850, EGSM 900, DCS 1800 & 1900)	N/A	
Construction Front Panel	ABS + PC Plastic front frame	
LED Function	1 x LED on Front Panel for Power ON/OFF	
Mounting	Panel, Wall, Rack, Stand or Arm mounting VESA 75 x 75mm	
Front Panel Color	Gray 7539U	
Dimension (WxHxD) (mm)	226 x 140 x 41	
Operation Temperature (°C)	0~50°C	-10°C ~50°C
Storage Temperature (°C)	-20°C ~ 60°C	
N/G Weight	0.6 Kg	
IP Level	Front Frame IP64	
Safety & EMC	CE / FCC / CB / CCC	
Touch Screen	Resistive Type 4-Wire (Touch controller IC is on board)	
Power Adapter	P/N: 63000-FSP0361AD101C-RS 36W Power Adapter Input: 90VAC~264VAC, 50/60Hz Output: 12VDC	
Power Requirement	12VDC/ 18~30VDC	12VDC
Power Consumption	20W	23W

Fully Integrated I/O

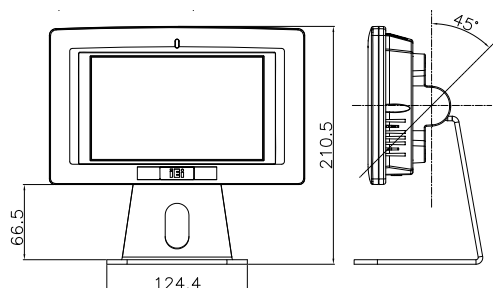
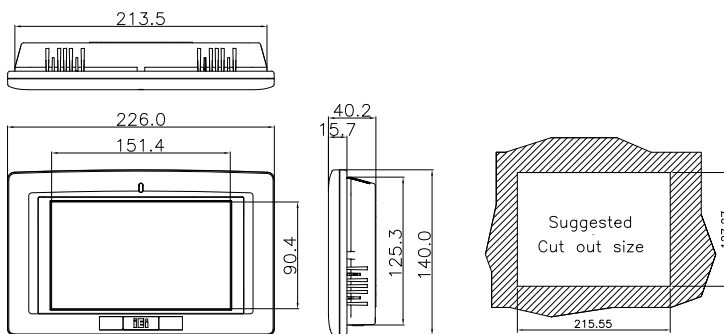
• AFL-07A-LX



• AFL-07A-N270



Dimensions (Unit: mm)



Ordering Information

Part Number	Description
AFL-07A-LX/WT-R/256MB-R12	7" 350 cd/m ² , WVGA fanless panel PC with AMD LX-800 CPU, AT/ATX mode, 802.11b/g Wireless Module, Bluetooth Module, Touch screen and 256MB DDR RAM, R12, RoHS
AFL-07A-LX/WT-R/512MB-R12	7" 350 cd/m ² , WVGA fanless panel PC with AMD LX-800 CPU, AT/ATX mode, 802.11b/g Wireless Module, Bluetooth Module, Touch screen and 512MB DDR RAM, R12, RoHS
AFL-07A-LX24V/WT-R/256MB-R11	7" 350 cd/m ² , WVGA fanless panel PC with AMD LX-800 CPU, 18~30VDC input, AT/ATX mode, 802.11b/g Wireless Module, Bluetooth Module, Touch screen and 256MB DDR RAM, R11, RoHS
AFL-07A-LX24V/WT-R/512MB-R11	7" 350 cd/m ² , WVGA fanless panel PC with AMD LX-800 CPU, 18~30VDC input, AT/ATX mode, 802.11b/g Wireless Module, Bluetooth Module, Touch screen and 512MB DDR RAM, R11, RoHS
AFL-07A-N270/WT-R/1GB-R10	7" 350cd/m ² WVGA fanless panel PC with Intel® Atom™ N270 1.6GHz, 802.11b/g wireless module, bluetooth module, touch screen, 1GB DDR2 533, RoHS

Note: WiFi 802.11 draft N is upgradable.

Options

Model	AFL-07A-LX	AFL-07A-N270
Panel mounting kit	AFLPK-12	
Wall mounting kit	AFLWK-12	
Rack mounting kit	AFLRK-07	
ARM	ARM-11-RS / ARM-31-RS	
Stand	STAND-A08 / STAND-100-RS	
VSTAND	VSTAND-A07	
9~30VDC to 12VDC converter module	IDD-930160-KIT	
OS: Win CE 5.0 (128 MB CF card)	AFLCF-07-LX-CE-R11	N/A
OS: Win CE 6.0 (128 MB CF card)	AFLCF-07-LX-CE060-R11	AFLCF-07-N270-CE060-R10
OS: Win XPE (1 GB CF card)	AFLCF-07-LX-XPE-R11	AFLCF-07-N270-XPE-R10
OS: LINUX (2 GB CF card)	AFLCF-07-LX-LNX-R10	AFLCF-07-N270-LNX-R10
Hybrid Card Reader	AFLP-08AMSI-U	
Magnetic Stripe Reader	AFLP-08AMSR-U	
DC 12V Input UPS	AUPS-A10-R10 (7.4V 3800mAh)	
DC 9~36V Input UPS	AUPS-A20-R10 (7.4V 3800mAh)	

ISMM Support Functions

	Voltage	Fan	Smart Fan	Temperature	WDT	Cash Drawer
AFL-07A-LX	√			√	√	
AFL-07A-N270	√			√	√	

Packing List

Item	Part Number	Q'ty	Specification
Screws Pack	44013-030041-RS	4	M3;5mm
Power Adpater	63000-FSP0361AD101C-RS	1	90~264V AC; 12V DC; 36W
Power Cord	32000-000002-RS	1	1750mm; European Standard (EU or US, Which type of cord is shipped depends on the shipment country)
Utilities CD	7B000-000087-RS	1	
Touch Pen	XTR104-0002-RS	1	

Note: AFL-07A-LX24V model without power adapter